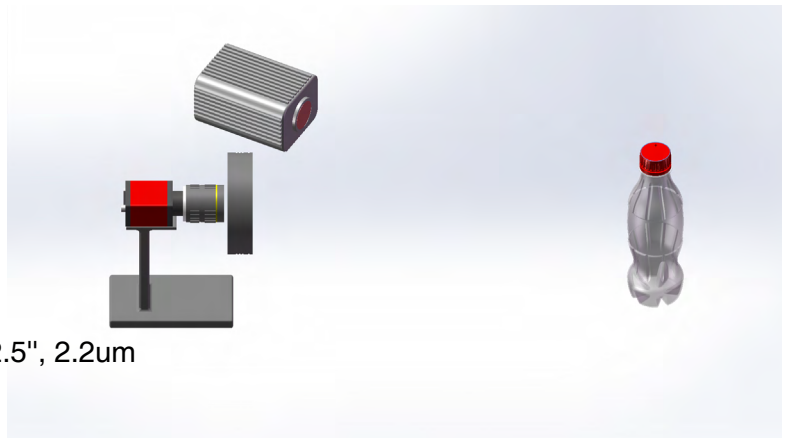


Testing of IR lighting, Comparison with visible light

Application: Testing of IR lighting, Comparison with visible light

NEW TRY Products: FA Lens MFA1-230-35 + 850nm IR Ring light

- Infrared light, invisible ;
- Perspective of different colors;



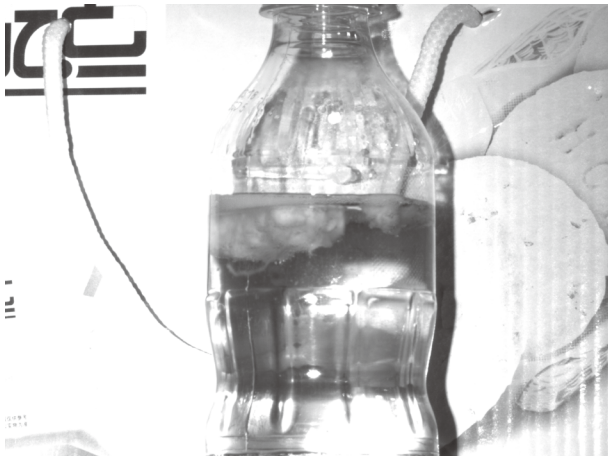
Camera: 5MP Daheng MER-500-14GM, 1/2.5", 2.2um

- Resolution (H x V) 2592*1944px

Test conclusion:

- Performance: Because of the perspective function, it can recognize different color which visible light cannot distinguish.
- Test image: Perspective of different colors and material.

850nm Infrared light



visible light

