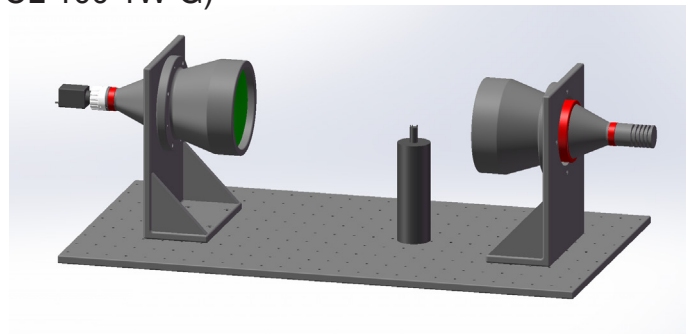


Location of the capacitance pin

Application: Location of the capacitance pin

NEW TRY Products: Telecentric lens(VCM125-100-AL)
+ Telecentric illuminator(VCL-100-1W-G)

- C/F Mount Bi telecentricity;
- <0.1% distortion;
- Clear contour;
- Coupled telecentric illuminator.



Camera: 1.2MP Daheng MV-CE013-50GM, 1/3", 3.75um

- Resolution (H x V) 1280*960px

Test conclusion:

- Accuracy: Depending on different cameras resolution and image areas.
66.66mm × 50mm<0.05mm with 1280 x 960 pixels.
- Performance: Clear image, nearly 0 distortion.
- Test image: Achieved image with high defination and great uniformity.

